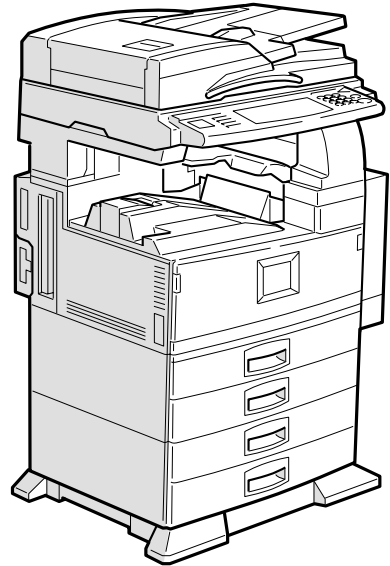




Operating Instructions

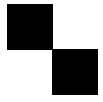
Printer Reference 1



Read this manual carefully before you use this product and keep it handy for future reference.

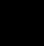
For safety, please follow the instructions in this manual.

Printed in The Japan



Printer Reference 1



 UE USA

B362-8607



Introduction

This manual contains detailed instructions on the operation and maintenance of this machine. To get maximum versatility from this machine all operators should carefully read and follow the instructions in this manual. Please keep this manual in a handy place near the machine.

Please read the Safety Information in the Copy Reference manual before using this machine. It contains important information related to USER SAFETY and PREVENTING EQUIPMENT PROBLEMS.

Important

Parts of this manual are subject to change without prior notice. In no event will the company be liable for direct, indirect, special, incidental, or consequential damages as a result of handling or operating the machine.

Warning:

Use of controls or adjustment or performance of procedures other than those specified in this manual might result in hazardous radiation exposure.

Trademarks

Microsoft®, Windows® and Windows NT® are registered trademarks of Microsoft Corporation in the United States and/or other countries.

Adobe®, PostScript®, Acrobat® and PageMaker® are registered trademarks of Adobe Systems Incorporated.

PCL® is a registered trademark of Hewlett-Packard Company.

AppleTalk, Apple, Macintosh, Mac and TrueType are registered trademarks of Apple Computer, Incorporated.

IPS-PRINT™ Printer Language Emulation® Copyright 1999-2000, XIONICS DOCUMENT TECHNOLOGIES, INC., All Rights Reserved.

Ethernet® is a registered trademark of Xerox Corporation.

Other product names used herein are for identification purposes only and might be trademarks of their respective companies. We disclaim any and all rights in those marks.

Notes:

Some illustrations might be slightly different from your machine.

Certain options might not be available in some countries. For details, please contact your local dealer.

Note:

The proper names of the Windows operating systems are as follows:

- Microsoft® Windows® 95 operating system
- Microsoft® Windows® 98 operating system
- Microsoft® Windows® Millennium Edition (Windows Me)
- Microsoft® Windows® 2000 Professional
- Microsoft® Windows® 2000 Server
- Microsoft® Windows NT® Server operating system Version 4.0
- Microsoft® Windows NT® Workstation operating system Version 4.0

Note to users in the United States of America

Notice:

This equipment has been tested and found to comply with the limits for a Class B digital device, pursuant to Part 15 of the FCC Rules. These limits are designed to provide reasonable protection against harmful interference in a residential installation. This equipment generates, uses and can radiate radio frequency energy and, if not installed and used in accordance with the instructions, may cause harmful interference to radio communications.

However, there is no guarantee that interference will not occur in a particular installation. If this equipment does cause harmful interference to radio or television reception, which can be determined by turning the equipment off and on, the user is encouraged to try to correct the interference by one more of the following measures:

Reorient or relocate the receiving antenna.

Increase the separation between the equipment and receiver.

Connect the equipment into an outlet on a circuit different from that to which the receiver is connected.

Consult the dealer or an experienced radio/TV technician for help.

Warning

Changes or modifications not expressly approved by the party responsible for compliance could void the user's authority to operate the equipment.

Caution (in case of 100BaseTX environment):

Properly shielded and grounded cables (STP) and connectors must be used for connections to host computer (and/or peripheral) in order to meet FCC emission limits.

Declaration of Conformity

Product Name: xxxxxxxxxxxx

Model Number: xxxxxxxxx

This device complies with part 15 of FCC Rules.

Operation is subject to the following two conditions:

1. This device may not cause harmful interference, and
2. this device must accept any interference received, including interference that may cause undesired operation.

Note to users in Canada

Note:

This Class B digital apparatus complies with Canadian ICES-003.

Remarque concernant les utilisateurs au Canada



Avertissement:

Cet appareil numérique de la classe B est conforme à la norme NMB-003 du Canada.



Manuals for This Machine

The following manuals describe the operational procedures and maintenance of this machine.

To enhance safe and efficient operation of this machine, all users should read and follow the instructions carefully.

❖ **Copy Reference**

Describes the procedures and functions for using this machine as a copier.

❖ **System Settings**

Describes the system settings of this machine.

❖ **Printer Reference 1**

Describes the system settings, procedures and functions for using this machine as a printer (this manual).

❖ **Printer Reference 2**

Describes the procedures and provides necessary information about using this machine as a printer. This manual is included as a PDF file on the CD-ROM labeled " Operating Instructions for Printer " .

❖ **Network Printing Guide Operating Instructions**

Describes the procedures and provides necessary information about setting up and using the printer under the network environment. We recommend this manual as your first choice, and it is included as a PDF file on the CD-ROM labeled " Operating Instructions for Printer " .

❖ **PostScript 3 Unit Type 1045 Operating Instructions Supplement**

Describes the menus and features you can set using the PostScript 3 printer driver. This manual is provided as a PDF file on the CD-ROM labeled " Operating Instructions for Printer " .

❖ **UNIX Supplement**

Provides information about setting up and using the printer in a UNIX environment. This manual is included as a PDF file on the CD-ROM labeled " Operating Instructions for Printer " .

How to Read This Manual

Symbols

In this manual, the following symbols are used:

WARNING:

This symbol indicates a potentially hazardous situation which, if instructions are not followed, could result in death or serious injury.

CAUTION:

This symbol indicates a potentially hazardous situation which, if instructions are not followed, may result in minor or moderate injury or damage to property.

* The statements above are notes for your safety.

Important

If this instruction is not followed, paper might be misfed, originals might be damaged, or data might be lost. Be sure to read this.

Preparation

This symbol indicates the prior knowledge or preparations required before operating.

Note

This symbol indicates precautions for operation, or actions to take after misoperation.

Limitation

This symbol indicates numerical limits, functions that cannot be used together, or conditions in which a particular function cannot be used.

Reference

This symbol indicates a reference.

[]

Keys that appear on the machine's panel display.

Keys and buttons that appear on the computer's display.

[]

Keys built into the machine's operation panel.

Keys on the computer's keyboard.

TABLE OF CONTENTS

1. Getting Started

Features of This Machine	1
Printer Drivers for This Machine.....	2
Software and Utilities Included on the CD-ROM.....	4
Guide to This Machine	6
Control Panel	6
Display Panel	7
Connecting the Machine	9
Requirements.....	9
Connecting the Network Cable to the Network	11
Connecting the Machine to the Host Using the Parallel Cable	12
Connecting the IEEE 1394 Interface Cable to the Machine.....	12

2. Installing the Printer Driver and Software

Installation Method.....	15
Installing by Auto Run	17
Installing the PCL 6/5e Printer Driver	18
Windows 95/98/Me - Installing the PCL 6/5e Printer Driver	18
Windows 2000 - Installing the PCL 6/5e Printer Driver	18
Windows NT 4.0 - Installing the PCL 6/5e Printer Driver	19
Installing the RPCS Printer Driver	21
Windows 95/98/Me - Installing the RPCS Printer Driver	21
Windows 2000 - Installing the RPCS Printer Driver	22
Windows NT 4.0 - Installing the RPCS Printer Driver	23
Installing the PostScript 3 Printer Driver	25
Windows 95/98/Me - Installing the PostScript 3 Printer Driver.....	25
Windows 2000 - Installing the PostScript 3 Printer Driver.....	27
Windows NT 4.0 - Installing the PostScript 3 Printer Driver.....	29
Using Adobe PageMaker Version 6.0 or 6.5.....	33
Macintosh.....	34
Macintosh - Installing the PostScript 3 Printer Driver	34
Setting Up the PPD File	34
Setting Up Options	35
INDEX.....	36

1. Getting Started

Features of This Machine

This machine is designed especially for office workgroups, both for shared usage within a network environment, and for one-to-one usage by being connected directly to the computer.

❖ **Standard compatibility with Windows 95/98/Me, Windows 2000 and Windows NT 4.0**

As the printer drivers for the above operating systems are included, it is possible to print to the maximum capacity with the special features of this machine.

❖ **Network Connectivity**

This machine can be used as a network printer.

It can print from any environment as it supports at the same time NetWare (TCP/IP, IPX/SPX), Windows 95/98/Me, (TCP/IP, NetBEUI), Windows 2000, (TCP/IP, NetBEUI), Windows NT 4.0 (TCP/IP, NetBEUI), UNIX (TCP/IP), Macintosh (AppleTalk).

If you register the user code together with the client, you can manage the amount of each printing job.

❖ **Use the Network Utilities included at your own convenience.**

When you use the network utilities “ SmartNetMonitor for Client ” and “ SmartNetMonitor for Admin ”, you can parallel print, allowing you to scatter large amounts of print sets via multiple printers, or alternative print, which allows you to use another printer when you can not access the network printer you are trying to use. Also, while at your workstation or desk, the machine will notify you, when the print job has been completed.

❖ **Complete Paper Handling Option**

When connecting the booklet finisher (option), not only can you collate, but also staple and punch.

Moreover, when connecting the mailbox (option), you can separate the destination of the printout together with the client.

❖ **Using the Document Server**

The document server is a function where sent files are stored in the memory of the machine, and allows printing them later by configuring their conditions. As you can assign a password to each file, even when this machine is used as a network printer, you are provided with a high level sense of security. Also, you can make combined prints with files scanned by machine.

Printer Drivers for This Machine

1

Printing requires installation of a printer driver for your operating system. The following drivers are included on the CD-ROM labeled “Printer Drivers and Utilities” that comes with the printer option or printer/scanner option of this machine.

Printer Language	PCL 6	PCL 5e	RPCS	PostScript 3
Operating system				
Windows 95 ^{*1}	√	√	√	√ ^{*8}
Windows 98 ^{*2}	√	√	√	√ ^{*8}
Windows Me ^{*3}	√	√	√	√ ^{*8}
Windows 2000 ^{*4}	√	√	√	√ ^{*8}
Windows NT 4.0 ^{*5}	√	√	√	√ ^{*7} ^{*8}
Mac OS ^{*6}				√ ^{*8}

^{*1} Microsoft Windows 95 operating system

^{*2} Microsoft Windows 98 operating system

^{*3} Microsoft Windows Millennium Edition

^{*4} Microsoft Windows 2000 professional

Microsoft Windows 2000 Server

^{*5} Microsoft Windows NT Server operating system version 4.0, Microsoft Windows NT Workstation operating system version 4.0 in a computer using x86 processors.

^{*6} Required version is from 7.6.1 up to 9.0.4 operating system.

^{*7} Requires Service Pack 4 or later.

^{*8} The Adobe PostScript 3 printer drivers and PostScript 3 Printer Description (PPD) files are included on the CD-ROM labeled “Printer Drivers and Utilities”.

❖ PCL printer drivers

Printer drivers allow the computer to communicate with the printer via a printer language. Two kinds of PCL printer drivers, PCL6 and PCL 5e, are provided with this machine. We recommend PCL 6 as your first choice.

Note

□ Some of your applications might require the installation of the PCL 5e printer driver. In this case, you can install PCL 5e in addition to PCL 6.

⇒ P.18 “Windows 95/98/Me - Installing the PCL 6/5e Printer Driver”

⇒ P.18 “Windows 2000 - Installing the PCL 6/5e Printer Driver”

⇒ P.19 “Windows NT 4.0 - Installing the PCL 6/5e Printer Driver”

❖ RPCS printer driver

This printer driver allows the computer to communicate with the printer via a printer language. The preset type user interface is provided in addition to the conventional one.

⇒ P.21 “Windows 95/98/Me - Installing the RPCS Printer Driver”

- ⇒ P.22 *“Windows 2000 - Installing the RPCS Printer Driver”*
- ⇒ P.23 *“Windows NT 4.0 - Installing the RPCS Printer Driver”*

❖ **Adobe PostScript 3 Printer Drivers and PPD files**

The Adobe PostScript 3 printer drivers and the PPD files are included on the CD-ROM that comes with the printer option or printer/scanner option of this machine. Adobe PostScript 3 printer driver allows the computer to communicate with the printer via a printer language. The PPD files allow the printer driver to enable the printer specific functions.

- ⇒ P.25 *“Windows 95/98/Me - Installing the PostScript 3 Printer Driver”*
- ⇒ P.27 *“Windows 2000 - Installing the PostScript 3 Printer Driver”*
- ⇒ P.29 *“Windows NT 4.0 - Installing the PostScript 3 Printer Driver”*
- ⇒ P.34 *“Macintosh”*

Software and Utilities Included on the CD-ROM

1

There are CD-ROMs that come with the printer option or printer/scanner option of this machine. One is labeled “ Operating Instructions for Printer ” and the other is “ Printer Drivers and Utilities ”. The following items are included on the two CD-ROMs separately.

❖ **SmartNetMonitor for Admin**

A utility for the system administrator to manage printers on the network. This manual is provided as a PDF file on the CD-ROM labeled “ Printer Drivers and Utilities ”.

Reference

See SmartNetMonitor for Admin online Help for more information about using the SmartNetMonitor for Admin.

❖ **SmartNetMonitor for Client**

A utility for users to manage their own print status on the network. This manual is provided as a PDF file on the CD-ROM labeled “ Printer Drivers and Utilities ”.

Reference

See SmartNetMonitor for Client online Help for more information about using the SmartNetMonitor for Client.

❖ **LAN-Fax Driver**

This utility enables you to fax documents directly from your PC. This manual is provided as a PDF file on the CD-ROM labeled “ Printer Drivers and Utilities ”.

❖ **Address Book**

This utility enables you to easily store and recall names and numbers for use with the LAN-Fax utility. This manual is provided as a PDF file on the CD-ROM labeled “ Printer Drivers and Utilities ”.

❖ **Agfa Font Manager 2000**

Helps you to install new screen fonts, or organize and manage fonts already installed on the system. This manual is provided as a PDF file on the CD-ROM labeled “ Printer Drivers and Utilities ”.

❖ **Utility 1394**

This utility is for the IEEE 1394 board. For more information, see the Readme file or the manual that comes with the IEEE 1394 board.

❖ Acrobat Reader

A utility that allows you to read PDF (Portable Document Format). This manual is provided as a PDF file on the CD-ROM labeled “ Operating Instructions for Printer ”.

 Note

- Documentation about using the machine is included on the CD-ROM in PDF format. See Acrobat Reader online Help for more information about using Acrobat Reader.

❖ Printer Utility for Mac

A utility which allows users to download and manage a variety of fonts as well as to manage their printers. For more information about this utility, see the PostScript 3 Unit Type 1045 Operating Instructions Supplement which is provided as a PDF file on the CD-ROM labeled “Operating Instructions for Printer”.

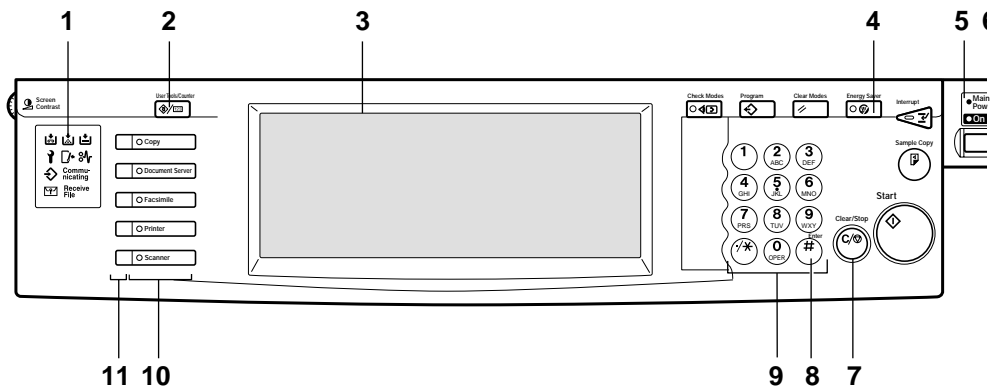
 Important

- If you upgrade to Windows 2000 from Windows 95/98/Me or Windows NT 4.0, the software and utilities must be uninstalled prior to installing Windows 2000. Then reinstall them in a Windows 2000 environment.

Guide to This Machine

1

Control Panel



ZCASC

1. Indicators

These indicators show errors or the status of the machine. See “*Troubleshooting*” in the Printer Reference 2.

2. [User Tools/Counter] key

- User Tools
Press to change the default settings and conditions to meet your requirements.
- Counter
Press to check or print the total number of copies made.

3. Display panel

Shows operation status, error messages, and function menus. ⇒ P.7 “*Display Panel*”

4. [Energy Saver] key

Press to switch to and from the Energy Saver mode. See “*ENERGY STAR Program*” in the System Settings.

5. Main power indicator

This indicator goes on when the main power switch is turned on, and goes off when the switch is turned off.

6. Operation switch

Press this switch to turn the power on (the **On** indicator goes on). To turn the power off, press this switch again (the **On** indicator goes off).

7. [Clear/Stop] key

Press to delete a number entered.

8. [#] key

Press to enter a value.

9. Number keys

Use to enter the desired number of copies and data for selected modes.

10. Function keys

Press the appropriate key to choose any of the following functions:

- Copy
- Document Server
- Facsimile
- Printer
- Scanner

11. Function status indicator

These show the status of the above functions:

- Green: the function is active.
- Red: the function has been interrupted.

Display Panel

The display panel shows the status of the machine, error messages and function menus.

Important

- Do not apply a strong shock or force of about 30 N (about 3 kgf) or more to the display panel. Otherwise, the display can get damaged.

Note

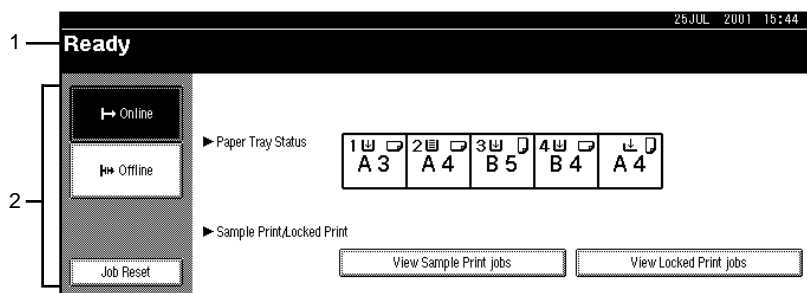
- The function items displayed serve as selector keys. You can select or specify an item by lightly pressing on it.
- When you select or specify an item on the display panel, it becomes highlighted.
- Keys lightly shaded (ex. **OK**) cannot be used.

Displays and Key Operations

Note

- The screen displayed when the power has been turned on is **[Copy]** which is the factory set default. This setting can be changed when initializing the system.
- The following illustrations are examples for the machine with the options installed. See "Options" in the Copy Reference.

Initial print display



1. Operational status or messages.

or specified is highlighted.

2. The current settings as well as the functions which can be selected are displayed.

Note

- The item which is currently selected

Common Key Operation

The following keys can be used in all screens.

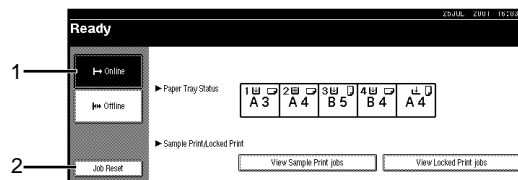
1

❖ Key explanations

[OK]	Acknowledges a selected function or entered values, and then returns to the previous screen.
[Cancel]	Deletes a selected function or entered values, and then returns to the previous screen.
[▲Prev.] [▼Next.]	Moves to the previous page or the next page when all the functions cannot be displayed on one page.
[OK] [Yes]	Closes message screens.
[Clear]	Clears entered values and does not change the screen.
[Exit]	Returns to the previous screen.

Online

When the machine is online, it can receive data from the computer.



1. [Online] key

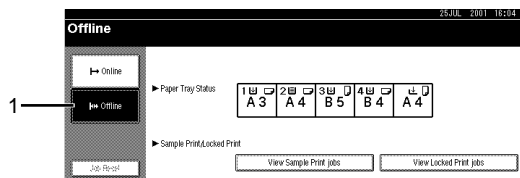
Press this key to switch the machine online. The preceding illustration shows the online status.

2. [Job Reset] key

Press this key to cancel the current print job.

Offline

When the machine is offline, it cannot receive data from the computer.



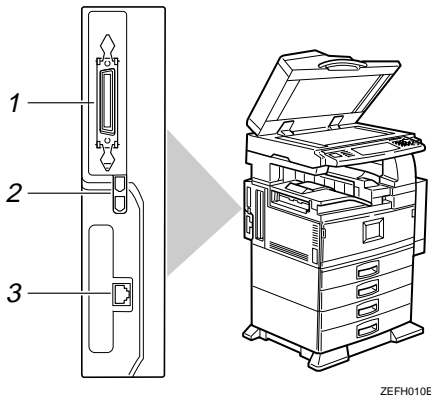
1. [Offline] key

Press this key to switch the machine offline. The preceding illustration shows

the offline status.

Connecting the Machine

Make sure that the shape and the position of the connector are as shown in the illustration.



1. Parallel port
2. IEEE 1394 jack
3. 10BASE-T/100BASE-TX (option)

Requirements

Requirements

Before using this machine, make sure that all the environmental and electrical requirements have been met. Connect the machine to the host computer using the parallel port, Network Interface Board, or both.

Make sure that all the cables, connectors, and electrical outlets necessary to attach the machine to the host computer or network are present.

Important

- The interface cable is not supplied in the box. It is your responsibility to provide the interface cable appropriate for the computer that you are using.

Reference

For more information about using the parallel port, see P.12 *“Connecting the Machine to the Host Using the Parallel Cable”*.

For more information about using a network, see P.10 *“Network cable requirements”*.

Network cable requirements

The Network Interface Board can be installed to allow direct connection to an Ethernet network.

The Network Interface Board supports 10BASE-T or 100BASE-TX connections. You can use the machine in the following network environments:

- Using the appropriate network management software and printer driver.
- Attaching the machine to a network computer set up as a server.

Client	Windows 95/98/Me, Windows 2000, Windows NT 4.0 ^{*1} , Mac OS (optional PostScript 3 Unit Type 1045 is required) , UNIX
Driver	PCL 6/5e, RPCS, PostScript 3
File Server	NetWare 3.x, NetWare 4.x, NetWare 5
Protocol	TCP/IP, IPX/SPX, NetBEUI ^{*2} , AppleTalk

^{*1} Under Windows NT 4.0, only x 86 CPU is supported.

^{*2} Under Windows 95/98/Me, Windows 2000 and Windows NT 4.0 only. Only for Peer-Peer Printing.

In a mixed network environment, the protocol switches automatically.

Reference

For more information about network connection settings, see “*User Tools (System Settings)*” in the System Settings.

Note

- Consult your network administrator before connecting the machine to a network.
- Make sure to use a properly shielded and grounded cable (STP, Category/Type5) for the connection to the host computer (and/or HUB) in order to meet FCC and EMC Directive 89/336/EEC emission guidelines.

Parallel cable requirements

Connect the machine to the host computer using a parallel port. This machine does not provide the parallel cable to connect the machine to the host computer.

The machine's parallel interface is a standard bidirectional interface. It requires a standard 36-pin parallel cable compliant with IEEE 1284 and a parallel port available on the host computer.

Note

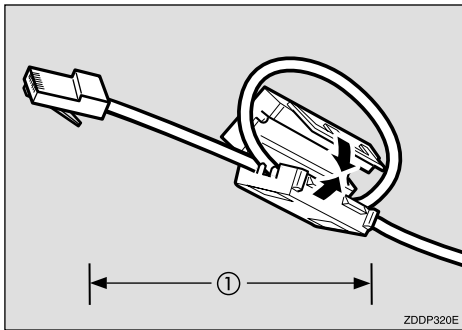
- Do not use a parallel cable that is longer than 3 meters (10 feet).

Connecting the Network Cable to the Network

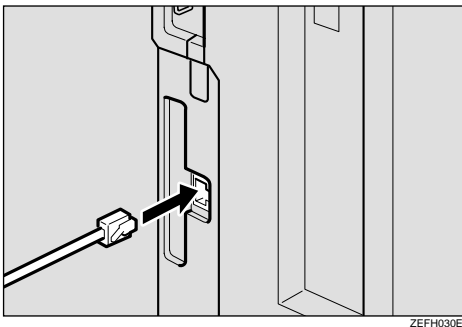
- 1 Turn off the main power switch.
- 2 Loop the network cable and attach the ferrite core.

 **Note**

- The network cable loop should be about 15 cm (6") (①) from the end of the cable (on the end closer to the machine). The ferrite core at the end of the cable should be a ring type ferrite core.



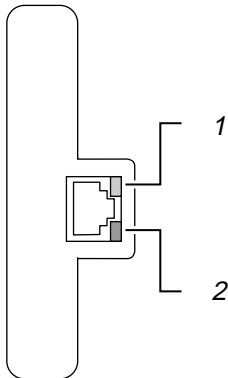
- 3 Attach the network cable to the jack on the board.



- 4 Connect the other end of the network cable to the network.
- 5 Turn on the main power switch.

Indicators on Network Interface Board

1



ZEFH040E

1. Indicator (yellow)

Turns yellow while 100 BASE-TX is operational.

Turns off while 10 BASE-T is operational.

2. Indicator (green)

Turns green while the machine is connected to the network correctly.

Connecting the Machine to the Host Using the Parallel Cable

Connect the machine to the host computer using a parallel cable compliant with IEEE 1284 (supplied by you).

Follow these steps to connect the machine to the host computer.

- 1** Turn off the main power switch.
- 2** Plug the 36-pin end of the parallel cable into the parallel port at the left side of the back cover of the machine.

Reference

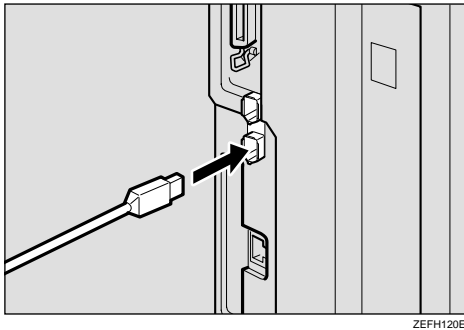
See P.9 “*Connecting the Machine*” to check the position of the parallel port.

- 3** Squeeze the wire clips on each side of the connector together until they snap into place. The clips hold the cable securely in place.
- 4** Plug the other end of the parallel cable into the computer's parallel port.

Connecting the IEEE 1394 Interface Cable to the Machine

- 1** Attach the IEEE 1394 Interface cable to the jack on the board.

Both jacks are available.



1

2 Connect the other end of the IEEE 1394 Interface cable to the computer or the other IEEE 1394 node.

Note

- The IEEE 1394 interface unit cannot receive data from more than one PC at the same time. The machine can accept data sent from other PCs, after the first print job has finished.
- The bidirectional transmissions are not supported by the IEEE 1394 interface unit.
- When the IEEE 1394 interface unit is installed successfully, the machine icon automatically changes from "Use Printer Offline" to "Ready", according to the IEEE 1394 interface cable plug. See Help for more information on the IEEE 1394 interface unit.
- After installing the last option that you want, print a configuration page to make sure the installation has been correctly performed. If the new device is listed in the column of configuration options, then it has been properly installed. For more information about printing a configuration page, see "Printer Features Parameters" in the Printer Reference 2.

IEEE 1394 Interface Unit specification

Interface Connector:

IEEE 1394 (6 pin × 2)

Required cable:

IEEE 1394 Interface cable (6 pin × 4 pin, 6 pin × 6 pin)

Important

- You cannot plug devices together for creating loops.
- Do not use a cable more than 4.5 meters (14.8 feet) long.

Connectable number of device in a bus

Maximum 63

❖ **Allowed cable hops in a bus**

Maximum 16

❖ **Power supply**

Non power supply

1



2. Installing the Printer Driver and Software

This manual assumes that you are familiar with general Windows procedures and practices. If you are not, see the documentation that comes with Windows for details.

Installation Method

The following table shows how to install the printer drivers and software.

	Auto Run ^{*1}			Add Printer Wizard
	Typical ^{*2}	Network ^{*3}	Custom ^{*4}	
PCL 6 printer driver	<input type="radio"/>	<input type="radio"/>	<input type="radio"/>	
PCL 5e printer driver			<input type="radio"/>	
RPCS printer driver	<input type="radio"/>	<input type="radio"/>	<input type="radio"/>	
PostScript 3 printer driver ^{*5}				<input type="radio"/>
Agfa Font Manager 2000			<input type="radio"/>	
SmartNetMonitor for Admin			<input type="radio"/>	
SmartNetMonitor for Client		<input type="radio"/>	<input type="radio"/>	
LAN-Fax Driver			<input type="radio"/>	
Address Book			<input type="radio"/>	
Utility 1394	-	-	-	-
Printer Utility for Mac ^{*5}	-	-	-	-

^{*1} Available operating systems are as follows: Windows 95/98/Me, Windows 2000, Windows NT 4.0

^{*2} Recommended for most users.

^{*3} Recommended for network printing users.

^{*4} Recommended for expert users.

^{*5} For information about PostScript 3 printer driver and Printer Utility for Mac, see PostScript 3 Unit Type 1045 Operating Instructions Supplement.

Reference

For more information about the printer drivers, see P.2 "Printer Drivers for This Machine". For installing the printer drivers, see P.18 "Installing the PCL 6/5e Printer Driver", P.21 "Installing the RPCS Printer Driver" or P.25 "Installing the PostScript 3 Printer Driver".

For more information about the software and utilities, see P.4 "Software and Utilities Included on the CD-ROM".

Important

- Before starting this installation, close all documents and applications. In a network environment, make sure that users who are logged on are disconnected. Make sure to do this so as to create the least interference with other users.
- After installing a printer driver, you must restart the computer.

Note

- If “plug and play” is started, click **[Cancel]** in the **[New Hardware Found]**, **[Device Driver Wizard]** or **[Found New Hardware Wizard]** dialog box, and then insert the CD-ROM. The **[New Hardware Found]**, **[Device Driver Wizard]** or **[Found New Hardware Wizard]** dialog box appears depending on the system version of the Windows 95/98/Me or Windows 2000.
- The appropriate language name is used on the CD-ROM folder: ENGLISH (English), DEUTSCH (German), FRANCAIS (French), ITALIANO (Italian), ESPANOL (Spanish), NEDRLNDS (Dutch), NORSK (Norwegian), DANSK (Danish), SVENSKA (Swedish), POLSKI (Polish), PORTUGUS (Portuguese), SUOMI (Finnish), MAGYAR (Hungarian), CESKY (Czech)

User Codes

User Codes are eight digit codes that allow you to keep track of printing done under each code. To use this feature, the network administrator should assign User Codes and inform users of them before they install the printer driver.

Using the Shared Printer on Windows 2000 or Windows NT 4.0 for Windows 95/98/Me Client

If you want to share the machine on Windows 2000 or Windows NT 4.0, install the printer driver of Windows 95/98/Me for an alternate driver.

Note

- When using the “alternate driver” function with the Windows NT 4.0, use the Windows NT 4.0 Service Pack 4 or later.

For more information about installing the printer driver as an alternate driver, see P.18 “Windows 2000 - Installing the PCL 6/5e Printer Driver”, P.19 “Windows NT 4.0 - Installing the PCL 6/5e Printer Driver”, P.22 “Windows 2000 - Installing the RPCS Printer Driver”, and P.23 “Windows NT 4.0 - Installing the RPCS Printer Driver”.

Installing by Auto Run

You can install the PCL and the RPCS printer drivers and software, and set them up easily by using Auto Run.

Follow these steps to install the PCL and the RPCS printer drivers and software on Windows 95/98/Me, Windows 2000, Windows NT 4.0.

Limitation

- If your system is Windows 2000 or Windows NT 4.0, installing a printer driver by Auto Run requires Administrators permission. When you install a printer driver by Auto Run, log on using an account that has Administrators permission.

Note

- Auto Run might not automatically work with certain OS settings. In this case, launch "INSTTOOL.EXE" located on the CD-ROM root directory.
- If you want to install without using Auto Run, hold down the **[SHIFT]** key (when your system is Windows 2000, hold down the left **[SHIFT]** key) while inserting the CD-ROM. Keep the **[SHIFT]** key held down until the computer has finished accessing the CD-ROM.

If **[Cancel]** is pressed during installation, the installation will be stopped and the remaining software will not be installed. If **[Cancel]** has been pressed, re-install the remaining software after restarting the computer.

- 1** Close all applications that are running.
- 2** Insert the CD-ROM into the CD-ROM drive.
- 3** Follow the instructions on the screen.
- 4** Restart the computer after installation is complete.
- 5** Set up the options with the printer driver.

Installing the PCL 6/5e Printer Driver

Windows 95/98/Me - Installing the PCL 6/5e Printer Driver

2

Installing the printer driver

Install the driver by using Auto Run. ⇒ P.17 *“Installing by Auto Run”*

Setting up options

Important

- If the machine is equipped with certain options (e.g. the Large Capacity Tray (LCT) or the booklet finisher), you should set up the options with the printer driver.

Note

- When setting up options, you should access the **[Printer Properties]** dialog box from Windows. You cannot set up options by accessing the **[Printer Properties]** dialog box from an application.

1 Click **[Start]** on the taskbar, point to **[Settings]**, and then click **[Printers]**.

The **[Printers]** window appears.

2 Click the icon of the machine you want to use. On the **[File]** menu, click **[Properties]**.

3 Click the **[Accessories]** tab.

4 Select options you have installed from the **[Options]** group.

5 Click **[OK]**.

Windows 2000 - Installing the PCL 6/5e Printer Driver

Installing the printer driver

Install the driver by using Auto Run. ⇒ P.17 *“Installing by Auto Run”*

Note

- During installation, the **[Digital Signature Not Found]** dialog box may appear. In this case, click **[Yes]** to continue the installation.

- If you want to share the machine on Windows 2000, use the **[Sharing]** tab in the Printer Properties to specify the alternate printer driver. For details, see the instructions manual of Windows 2000.
- When prompted for the Windows 95/98/Me alternate driver location, select one of the following folders on the CD-ROM:
 - PCL 6
 \ DRIVERS \ PCL6 \ WIN9X_ME \ (Language) \ DISK1 \
 - PCL 5e
 \ DRIVERS \ PCL5E \ WIN9X_ME \ (Language) \ DISK1 \

Setting up options

Limitation

- Changing the machine settings requires Manage Printers permission. Members of the Administrators and Power Users groups have Manage Printers permission by default. When you set up options, log on using an account that has Manage Printers permission.

Important

- If the machine is equipped with certain options (e.g. the Large Capacity Tray (LCT) or the booklet finisher), you should set up the options with the printer driver.

Note

- When setting up options, you should access the **[Printer Properties]** dialog box from Windows. You cannot set up options by accessing the **[Printer Properties]** dialog box from an application.

1 Click **[Start]** on the taskbar, point to **[Settings]**, and then click **[Printers]**.

The **[Printers]** window appears.

2 Click the icon of the machine you want to use. On the **[File]** menu, click **[Properties]**.

3 Click the **[Accessories]** tab.

4 Select options you have installed from the **[Options]** group.

5 Click **[OK]**.

Windows NT 4.0 - Installing the PCL 6/5e Printer Driver

Installing the printer driver

Install the driver by using Auto Run. ⇒ P.17 "Installing by Auto Run"

 **Note**

- When prompted for the Windows 95/98/Me alternate printer driver location, select one of the following folders on the CD-ROM:
 - PCL 6
 \ DRIVERS \ PCL6 \ WIN9X_ME \ (Language) \ DISK1 \
 - PCL 5e
 \ DRIVERS \ PCL5E \ WIN9X_ME \ (Language) \ DISK1 \

2

Setting up options

 **Limitation**

- Changing the setting of the machine requires Full Control access permission. Members of the Administrators, Server Operators, Print Operators, and Power Users groups have Full Control permission by default. When you set up options, log on using an account that has Full Control permission.

 **Important**

- If the machine is equipped with certain options (e.g. the Large Capacity Tray (LCT) or the booklet finisher), you should set up the options with the printer driver.

 **Note**

- When setting up options, you should access the **[Printer Properties]** dialog box from Windows. You cannot set up options by accessing the **[Printer Properties]** dialog box from an application.

1 Click **[Start]** on the taskbar, point to **[Settings]**, and then click **[Printers]**.

The **[Printers]** window appears.

2 Click the icon of the machine you want to use. On the **[File]** menu, click **[Properties]**.

3 Click the **[Accessories]** tab.

4 Select options you have installed from the **[Options]** group.

5 Click **[OK]**.

Installing the RPCS Printer Driver

Windows 95/98/Me - Installing the RPCS Printer Driver

Installing the printer driver

Install the driver by using Auto Run. ⇒ P.17 *“Installing by Auto Run”*

Setting up options

The option setup is a necessary procedure in case the bidirectional transmissions are not enabled. In this case, follow the procedures below. For information about bidirectional transmissions, see P.31 *“The conditions of the bidirectional transmissions”*.

Important

- If the machine is equipped with certain options (e.g. the Large Capacity Tray (LCT) or the booklet finisher), you should set up the options with the printer driver.
- You must set the correct paper size and feed direction that matches tray settings on the printer driver.

Note

- When setting up options, you should access the **[Printer Properties]** dialog box from Windows. You cannot set up options by accessing the **[Printer Properties]** dialog box from an application.

1 Click **[Start]** on the taskbar, point to **[Settings]**, and then click **[Printers]**.

The **[Printers]** window appears.

2 Click the icon of the machine you want to use. On the **[File]** menu, click **[Properties]**.

3 Click the **[Print Settings]** tab.

4 Click **[Printer Configuration...]**.

5 Click **[Change Accessories...]**.

6 Select options you have installed from the **[Select printer options:]** box.

7 Make the settings and click **[OK]**.

8 Click **[OK]** to close the **[Printer Configuration]** dialog box.

9 Click **[OK]** to start printing.

Windows 2000 - Installing the RPCS Printer Driver

Installing the printer driver

Install the driver by using Auto Run. ⇒ P.17 *“Installing by Auto Run”*

2

Note

- During installation, the **[Digital Signature Not Found]** dialog box may appear. Click **[Yes]** to continue the installation.
- When prompted for the Windows 95/98/Me alternate driver location, select the following folder on the CD-ROM.
 - \DRIVERS\RPCS\WIN9X_ME*(Language)*\DISK1\

Setting up options

The option setup is a necessary procedure in case the bidirectional transmissions are not enabled. In this case, follow the procedures below. For information about bidirectional transmissions, see P.31 *“The conditions of the bidirectional transmissions”*.

Limitation

- Changing the machine settings requires Manage Printers permission. Members of the Administrators and Power Users groups have Manage Printers permission by default. When you set up options, log on using an account that has Manage Printers permission.

Important

- If the machine is equipped with certain options (e.g. the Large Capacity Tray (LCT) or the booklet finisher), you should set up the options with the printer driver.
- You must set the correct paper size and feed direction that matches tray settings on the printer driver.

Note

- When setting up options, you should access the **[Printer Properties]** dialog box from Windows. You cannot set up options by accessing the **[Printer Properties]** dialog box from an application.

1 Click **[Start]** on the taskbar, point to **[Settings]**, and then click **[Printers]**.

The **[Printers]** window appears.

2 Click the icon of the machine you want to use. On the **[File]** menu, click **[Properties]**.

3 Click the **[Accessories]** tab.

- 4 Select options you have installed from the [Options] group.
- 5 Click [OK] .

Windows NT 4.0 - Installing the RPCS Printer Driver

Installing the printer driver

Install the driver by using Auto Run. ⇒ P.17 *“Installing by Auto Run”*

Note

- When prompted for the Windows 95/98/Me alternate printer driver location, select the following folder on the CD-ROM.
 - \DRIVERS\RPCS\WIN9X_ME\ (Language)\DISK1\

Setting up options

The option setup is a necessary procedure in case the bidirectional transmissions are not enabled. In this case, follow the procedures below. For information about bidirectional transmissions, see P.31 *“The conditions of the bidirectional transmissions”*.

Limitation

- Changing the setting of the machine requires Full Control access permission. Members of the Administrators, Server Operators, Print Operators, and Power Users groups have Full Control permission by default. When you set up options, log on using an account that has Full Control permission.

Important

- If the machine is equipped with certain options (e.g. the Large Capacity Tray (LCT) or the booklet finisher), you should set up the options with the printer driver.
- You must set the correct paper size and feed direction that matches the tray settings on the printer driver.

Note

- When setting up options, you should access the [Printer Properties] dialog box from Windows. You cannot set up options by accessing the [Printer Properties] dialog box from an application.

- 1 Click [Start] on the taskbar, point to [Settings], and then click [Printers].

The [Printers] window appears.

- 2 Click the icon of the machine you want to use. On the [File] menu, click [Properties].

- 3** Click the **[Change Accessories]** tab.
- 4** Select options you have installed from the **[Select Printer Options:]** box.
- 5** Click **[OK]** .

2

Installing the PostScript 3 Printer Driver

This section describes basic instructions for installing the PostScript 3 printer driver. The actual procedure may vary depending on the operating system. Follow one of the appropriate procedures below.

Important

- When updating the printer driver by installing the latest version, you should uninstall the former version if any. See “*Uninstalling the Printer Driver and Software*” in the Printer Reference 2.

2

Windows 95/98/Me - Installing the PostScript 3 Printer Driver

Installing the printer driver

Important

- Make sure to install the PPD file for Windows 95/98/Me. Be careful not to accidentally install the PPD file for Windows 2000 or Windows NT 4.0.

1 Close all applications that are currently running.

2 Click **[Start]** on the taskbar, point to **[Settings]**, and then click **[Printers]**.
The **[Printers]** window appears.

3 Double-click the **[Add Printers]** icon.
[Add Printer Wizard] starts.

4 Click **[Next]**.

5 Check **[Local Printer]** and click **[Next]**.
A dialog box for selecting the manufacturer and model name appears.

6 Click **[Have Disk]**.
A dialog box for installing the printer driver from a disk appears.

7 Hold down the **[SHIFT]** key and insert the CD-ROM into the CD-ROM drive. Keep the **[SHIFT]** key held down until the computer has finished accessing the CD-ROM.

If the Auto Run program starts, click **[Cancel]**.

8 Click **[Browse]**.

9 Use the **[Drives:]** list box to select the CD-ROM drive.

- 10** In the **[Folders:]** box, double-click **[DRIVERS]**, **[PS]**, **[WIN9X_ME]**. Then double-click the folder of the appropriate language for the operating system. Finally, click **[DISK1]**.
- 11** Click **[Open]**.
- 12** Click **[OK]**.
- 13** Click to select the name of the machine whose driver you want to install, and then click **[Next]**.
- 14** In the **[Available ports:]** box, click to select **[Printer Port]**, and then click **[Next]**.
- 15** Change the name of the machine if you want, and then click **[Next]**.
- 16** Select whether or not you want to print a test page, and then click **[Finish]**.
- 17** If you are asked if you want to restart Windows, select **[Yes]**. If you are not asked, restart Windows after completing the installation.

Setting up options

Important

- If the machine is equipped with certain options (e.g. the Large Capacity Tray (LCT) or the booklet finisher), you should set up the options with the printer driver.

Note

- When setting up options, you should access the **[Printer Properties]** dialog box from Windows. You cannot set up options by accessing the **[Printer Properties]** dialog box from an application.

- 1** Click **[Start]** on the taskbar, point to **[Settings]**, and then click **[Printers]**.
The **[Printers]** window appears.
- 2** Click to select the icon of the machine you want to use.
- 3** On the **[File]** menu, click **[Properties]**.
The **[Printer Properties]** dialog box appears.
- 4** Click the **[Accessories]** tab.
- 5** In the **[Options]** group, select the option you have installed to the machine.
- 6** Use the **[Change settings for:]** list box to select the appropriate setting for the selected option.
- 7** Click **[Apply]** to apply the settings you made.

- 8** Repeat steps **5** – **7** for all options.
- 9** After making all settings for options, click **[OK]**.

Windows 2000 - Installing the PostScript 3 Printer Driver

Installing the printer driver

2

Limitation

- Installing a printer driver requires Manage Printers permission. Members of the Administrators, and Power Users groups have Manage Printers permission by default. When you install a printer driver, log on using an account that has Manage Printers permission.

Important

- Make sure to install the PPD file for Windows 2000. Be careful not to accidentally install the PPD file for Windows 95/98/Me or Windows NT 4.0.

Note

- During installation, the **[Digital Signature Not Found]** dialog box may appear. Click **[Yes]** to continue the installation.

- 1** Close all applications that are currently running.
- 2** Click **[Start]** on the taskbar, point to **[Settings]**, and then click **[Printers]**.
The **[Printers]** window appears.
- 3** Double-click the **[Add Printers]** icon.
[Add Printer Wizard] starts.
- 4** After making sure that the **[Local Printer]** option has been selected, click **[Next]**.
A dialog box for selecting the machine port appears.
- 5** Check the check box of the port you want to use, and then click **[Next]**.
A dialog box for selecting the manufacturer and model name appears.
- 6** Click **[Have Disk]**.
A dialog box for installing the driver from a disk appears.
- 7** Hold down the left **[SHIFT]** key and insert the CD-ROM into the CD-ROM drive. Keep the left **[SHIFT]** key held down until the computer has finished accessing the CD-ROM.
If the Auto Run program starts, click **[Cancel]**.

8 Change the drive name in the list box to the name of the CD-ROM drive, and then click **[Browse]**.

9 In the **[Folders:]** box, double-click **[DRIVERS]**, **[PS]**, **[WIN2000]**. Then double-click the folder of the appropriate language for the operating system. Finally, click **[DISK1]**.

10 Click **[Open]**.

11 Click **[OK]**.

A machine model selection dialog box appears.

12 Click to select the name of the machine whose driver you want to install, and then click **[Next]**.

A dialog box for changing the machine name appears.

13 Change the name of the machine if you want, and then click **[Next]**.

14 Click **[Next]**.

15 In the next dialog box you will be asked to print a test page, select **[No]** and then click **[Next]**.

A confirmation dialog box appears.

16 Make sure that the settings you have set are correct, and then click **[Finish]**.

The installer copies the printer driver files from the CD-ROM to the computer's hard disk.

 **Note**

- If the **[Digital Signature Not Found]** dialog box appears, click **[Yes]** to continue the installation.

17 Set up the options with the printer driver.

18 Restart the Windows.

 **Note**

- Print a test page after completing installation.

Setting up options

 **Limitation**

- Changing the setting of the machine requires Manage Printers permission. Members of the Administrators and Power Users groups have Manage Printers permission by default. When you set up options, log on using an account that has Manage Printers permission.

⚠ Important

- If the machine is equipped with certain options (e.g. the Large Capacity Tray (LCT) or the booklet finisher), you should set up the options with the printer driver.

📝 Note

- When setting up options, you should access the **[Printer Properties]** dialog box from Windows. You cannot set up options by accessing the **[Printer Properties]** dialog box from an application.

1 Click **[Start]** on the taskbar, point to **[Settings]**, and then click **[Printers]**.

The **[Printers]** window appears.

2 Click the icon of the machine you want to use. On the **[File]** menu, click **[Properties]**.

3 Click the **[Device Settings]** tab.

4 Use the **[Installable Options]** group to select the options, and then select **[Installed]** or **[Not]** from the drop-down list box.

5 Repeat steps **4** for all options.

6 After making all settings you want, click **[OK]**.

Windows NT 4.0 - Installing the PostScript 3 Printer Driver

Installing the printer driver

💡 Limitation

- Installing a printer driver requires Full Control access permission. Members of the Administrators, Server Operators, Print Operators, and Power Users groups have Full Control permission by default. When you install a printer driver, log on using an account that has Full Control permission.

⚠ Important

- The CD-ROM containing the Windows NT Server operating system version 4.0, or the Windows NT Workstation operating system is required for installing the printer driver.
- We recommend that you upgrade the Windows NT 4.0 operating system to Service Pack 4 or later before installing the printer driver. Contact your Windows retailer for more information about the latest version available.
- Make sure to install the PPD file for Windows NT 4.0. Be careful not to accidentally install the PPD file for Windows 95/98/Me or Windows 2000.

1 Close all applications that are currently running.

- 2 Click **[Start]** on the taskbar, point to **[Settings]**, and then click **[Printers]**.

The **[Printers]** window appears.

- 3 Double-click the **[Add Printers]** icon.

[Add Printer Wizard] starts.

- 4 After making sure that the **[My Computer]** option has been selected, click **[Next]**.

A dialog box for selecting the machine port appears.

- 5 Check the check box of the port you want to use, and then click **[Next]**

A dialog box for selecting the manufacturer and model name appears.

- 6 Click **[Have Disk]**.

A dialog box for installing the driver from a disk appears.

- 7 Hold down the **[SHIFT]** key and insert the CD-ROM into the CD-ROM drive. Keep the **[SHIFT]** key held down until the computer has finished accessing the CD-ROM.

If the Auto Run program starts, click **[Cancel]**.

- 8 Change the drive name in the list box to the name of the CD-ROM drive, and then click **[Browse]**.

- 9 In the **[Folders:]** box, double-click **[DRIVERS]**, **[PS]**, **[NT4]**. Then double-click the folder of the appropriate language for the operating system. Finally, click **[DISK1]**.

- 10 Click **[Open]**.

- 11 Click **[OK]**.

A machine model selection dialog box appears.

- 12 Click to select the name of the machine whose driver you want to install, and then click **[Next]**.

A dialog box for changing the machine name appears.

- 13 Change the name of the machine if you want, and then click **[Next]**.

- 14 Click **[Next]**.

- 15 In the next dialog box asking if you want to print a test page, select **[No]** and then click **[Finish]**.

The installer copies the printer driver files from the CD-ROM to the computer's hard disk.

 **Note**

- Print a test page after completing installation.

- 16** If you are asked if you want to restart Windows, select **[Yes]**. If you are not asked, restart Windows after completing the installation.

Setting up options

Limitation

- Changing the setting of the machine requires Full Control access permission. Members of the Administrators, Server Operators, Print Operators, and Power Users groups have Full Control permission by default. When you setup options, log on using an account that has Full Control permission.

Important

- If the machine is equipped with certain options (e.g. the Large Capacity Tray (LCT) or the booklet finisher), you should set up the options with the printer driver.

Note

- When setting up options, you should access the **[Printer Properties]** dialog box from Windows. You cannot set up options by accessing the **[Printer Properties]** dialog box from an application.

- 1** Click **[Start]** on the taskbar, point to **[Settings]**, and then click **[Printers]**.

The **[Printers]** window appears.

- 2** Click the icon of the machine you want to use. On the **[File]** menu, click **[Properties]**.

- 3** Click the **[Device Settings]** tab.

- 4** In the **[Installable Options]** group, select the option you have installed to the machine.

The current setting appears in the **[Change Setting]** box.

- 5** Use the **[Change Setting:]** list to select the appropriate setting for the selected option.

- 6** Repeat steps **4** - **5** for all options.

- 7** After making all option settings, click **[OK]**.

The conditions of the bidirectional transmissions

When bidirectional transmissions are enabled, the information about the paper size and feed direction settings are automatically sent to the machine by the computer. You can also check the machine's status from your computer.

- Bidirectional transmissions are supported by Windows 95/98/Me, Windows 2000 and Windows NT 4.0.
- When the bidirectional transmission function is working, the machine status and information are obtained when opening the printer driver screen.

To support the bidirectional transmissions, the following conditions below are required.

2

❖ **Connecting with the parallel cable.**

- The computer supports the bidirectional transmissions.
- The Interface cable supports the bidirectional transmissions.
- The machine is connected to the computer using the standard parallel cable and the parallel connector.
- On Windows 95/98/Me, **[Enable bi-directional support for this printer]** is selected in **[Spool Settings...]** on the **[Details]** tab.
- On Windows 2000 and Windows NT 4.0, **[Enable bi-directional support]** is selected and **[Enable printer spooling]** is not selected on the **[port]** tab.

❖ **Connecting with the network**

- SmartNetMonitor for Admin or SmartNetMonitor for Client included on the CD-ROM is installed, and the TCP/IP protocol is used.
- On Windows 95/98/Me, **[Enable bi-directional support for this printer]** is selected in the **[Spool Settings...]** on the **[Details]** tab.
- On Windows 2000 and Windows NT 4.0, **[Enable bi-directional support]** is selected and **[Enable printer spooling]** is not selected on the **[port]** tab.



Using Adobe PageMaker Version 6.0 or 6.5

If you use the machine under Windows 95/98/Me, Windows 2000, Windows NT 4.0 with Adobe PageMaker, you need to copy the PPD file to the PageMaker folder.

The PPD file is the file with extension “.ppd”. It is in the folder “DRIVERS \ PS \ WIN9X_ME \ (Language) \ DISK1 \” on the CD-ROM.

The **[WIN9X_ME]** folder, inside the **[PS]** folder is for the Windows 95/98/Me operating system. Use the folder at this level that is appropriate for the operating system you are using.

The third folder, “(Language)” may be substituted by an appropriate language name.

Copy this file to the PageMaker folder.

For PageMaker 6.0 default installation, the folder is “C:\PM6\RSRC\PPD4”, and for PageMaker 6.5 default installation, the directory is “C:\PM65\RSRC\USENGLISH\PPD4”. The “USENGLISH” may vary depending on your language selection.

Reference

For more information about the language name, see P.15 “*Installation Method*”.

Macintosh

Macintosh - Installing the PostScript 3 Printer Driver

2

It is necessary to install a printer driver and a PPD file to print from a Macintosh.

Follow these steps to install a printer driver and a PPD file into a Macintosh using a system from 7.6.1 up to 9.0.4 operating system.

- 1** Insert the CD-ROM into the CD-ROM drive.
- 2** Double-click the CD-ROM icon.
- 3** Double-click the [PS DRIVER] folder.
- 4** Double-click the folder of the language you use.
- 5** Open [DISK1] and double-click the installer icon.
The PostScript 3 printer driver installer window appears.
- 6** Follow the instructions on the screen.
- 7** Double-click [Extensions] in [System Folder].
- 8** Double-click [Printer Descriptions].
- 9** Double-click the CD-ROM icon on the desktop.
- 10** Double-click [DISK1] in the folder of the language you use.
- 11** Click and drag the PPD file into [Printer Descriptions] in [Extensions] in [System Folder].
- 12** Click and drag the plugin file into [Printer Descriptions] in [Extensions] in [System Folder].
- 13** Restart the Macintosh.

Setting Up the PPD File


Preparation

Make sure that the machine is connected to an AppleTalk network before performing the following procedure.

- 1** On the [Apple] menu, select [Chooser].
- 2** Click the [Adobe PS] icon.

- 3** In the **[Select a PostScript Printer:]** list, click the name of the machine you want to use.
- 4** Click **[Setup]**.
- 5** Click the printer description file you want to use, and then click **[Select]**.
The PPD file is set up, and the **[Adobe PS]** icon appears at the left of the machine name in the list. Next, follow the procedure on P.35 “*Setting Up Options*” to make the option settings, or close the **[Chooser]** dialog box.

Setting Up Options

- 1** On the **[Apple]** menu, select **[Chooser]**.
- 2** Click the **[Adobe PS]** icon.
- 3** In the **[Select the PostScript Printer:]** list, click the name of the machine you want to use, and then click **[Setup]**.
- 4** Click **[Configure]**.
A list of options appears.
- 5** Select the option you want to set up and select the appropriate setting for it.
 **Note**
 - If the option you want to set up is not displayed, the PPD file might not be set up correctly. Check the name of the PPD file shown in the dialog box.
- 6** Click **[OK]**.
The list of options closes.
- 7** Click **[OK]**.
The **[Chooser]** dialog box appears.
- 8** Close the **[Chooser]** dialog box.

 **Reference**

For information about installing the Printer Utility for Mac, see the PostScript 3 Unit Type 1045 Operating Instructions Supplement.

INDEX

10BASE-T/100BASE-TX, 9

A

Address Book, 4
Agfa Font Manager 2000, 4
Auto Run, 17

C

Clear/Stop key, 6
Control Panel, 6

D

Display, 7
Display panel, 6, 7

E

Energy Saver key, 6

F

Function status indicator, 6

I

IEEE 1394 jack, 9
Indicators, 6

L

LAN-Fax Driver, 4

M

Main power indicator, 6

N

Network Connections, 10
Network Printing Guide Operating
Instructions, i
Number keys, 6

O

Operation switch, 6

P

PageMaker 6.0 or 6.5, 33
Parallel Cable, 10, 12
Parallel port, 9
PCL 5e, 2
PCL 6, 2
PCL 6/5e
 Windows 2000, Install, 18
 Windows 95/98/Me, Install, 18
 Windows NT 4.0, Install, 19
PostScript 3, 3
 Macintosh, Install, 34
 Windows 2000, install, 27
 Windows 95/98/Me, install, 25
 Windows NT 4.0, install, 29
PostScript 3 printer driver, 25
printer driver, 2
Printer Reference 1, i
Printer Reference 2, i

R

RPCS
 Windows 2000, Install, 22
 Windows 95/98/Me, Install, 21
 Windows NT 4.0, Install, 23

S

SmartNetMonitor for Admin, 4
SmartNetMonitor for Client, 4

U

User Code, 16
User Tools/Counter key, 6

W

Windows 2000
 PCL 6/5e, Install, 18
 PostScript 3, Install, 27
 RPCS, Install, 22
Windows 95/98/Me
 PCL 6/5e, Install, 18
 PostScript 3, Install, 25
 RPCS, Install, 21
Windows NT 4.0
 PCL 6/5e, Install, 19
 PostScript 3, Install, 29

